



FLEXLINE BETA

Neonflex Light - Top bending

FLBXXXXXXXXXXXXXXXXXX

7291XXXXX- Ordering Code

General

Mounting Type

Surface

Product Type

Neon Flex

IP Rating

IP67

Housing Type

Flexible Adhesive extrusion

LED Binning

McAdam<2

Flame Resistant

Yes

Input Supply

DC 24V

Control Gear

MeanWell/Vossloh Schwabe

Control Type

Switched and Dimmable

Output Power

11.5W/m

Fitting Lumens

Refer Lumens table

Beam Angle

Wide Beam

No. of LEDs per meter

182 LEDs per meter

Secondary Optics

NA

Glueing Material

Silicone RTX adhesive

Chip Family

2016

CCT

Refer available CCTs

Lifetime

50000H

CRI

80

Bending type

Top bending

Mounting

3M tape

Length

5000mm/Roll

Width

12.5mm

Cutable Length

50mm

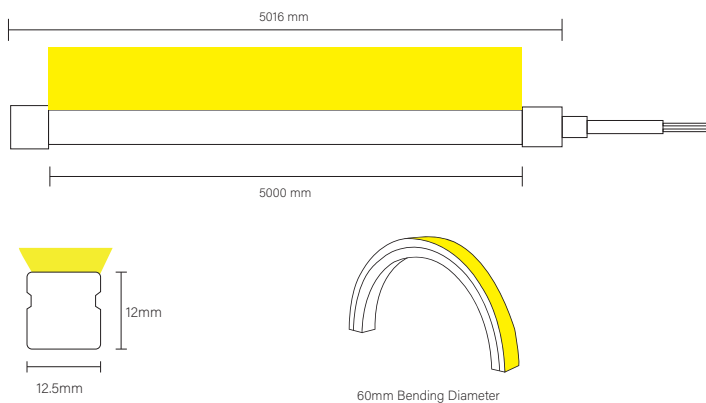
Description

Flexline Beta is the neon strip light from oxbridge lighting provides an excellent accent lighting for your interiors and exteriors. Flexline can be easily mounted onto a surface, very versatile and can be cut to length or connected together to create a custom lighting setup. They can be controlled by a variety of methods including on/off and dimming options. Flexline is available in multiple options with different CCTs, powers and IP ratings for the ease of use. Line is very compact with 10mm width and having 182 LED modules per metre which provides a dotless lighting. The Flexline allows a cutting option for every 12.5mm which helps customer for all requirements in length. The product is available in IP67 modes also in order to satisfy the indoor and outdoor needs. Accessories are available for flexline to make its installation a hassle free one.

Application Areas

Border Lighting, Cove/Accent Lighting, Signage, Architectural and Interior outlines, shop signage, Night clubs and bars.

Dimensional Details



Available CCTS

2700K	27K
3000K	30K
4000K	40K
6500K	65K
RED	RED
BLUE	BLU
GREEN	GRE
RGB	RGB

Available Power

11.5W/m	011
IP67	67G

Available CRI

80 CRI	C80
--------	-----

Driver Options

Switched	N
Dimmable	0

Lumen

2700K	638lm
3000K	645lm
4000K	734lm
6500K	710lm
RED	90lm
GREEN	234lm
BLUE	48lm
RGB	356lm

Product combinations along with their Ordering codes

Alpha Numeric Code	CCT	Control Type	IP Rating	Ordering Code
NEON FLEX 9.36W/m				
FLB01027KC80NAFL67GN	2700K	On/Off	IP67	729100001
FLB01030KC80NAFL67GN	3000K	On/Off	IP67	729100002
FLB01040KC80NAFL67GN	4000K	On/Off	IP67	729100003
FLB01065KC80NAFL67GN	6500K	On/Off	IP67	729100004
FLB010REDC80NAFL67GN	RED	On/Off	IP67	729100005
FLB010BLUC80NAFL67GN	BLUE	On/Off	IP67	729100006
FLB010GREC80NAFL67GN	GREEN	On/Off	IP67	729100007
FLB010RGBC80NAFL67GN	RGB	On/Off	IP67	729100008
FLB01027KC80NAFL67G0	2700K	Dimmable	IP67	729100009
FLB01030KC80NAFL67G0	3000K	Dimmable	IP67	729100010
FLB01040KC80NAFL67G0	4000K	Dimmable	IP67	729100011
FLB01065KC80NAFL67G0	6500K	Dimmable	IP67	729100012
FLB010REDC80NAFL67G0	RED	Dimmable	IP67	729100013
FLB010BLUC80NAFL67G0	BLUE	Dimmable	IP67	729100014
FLB010GREC80NAFL67G0	GREEN	Dimmable	IP67	729100015
FLB010RGBC80NAFL67G0	RGB	Dimmable	IP67	729100016

Specification Code Details

